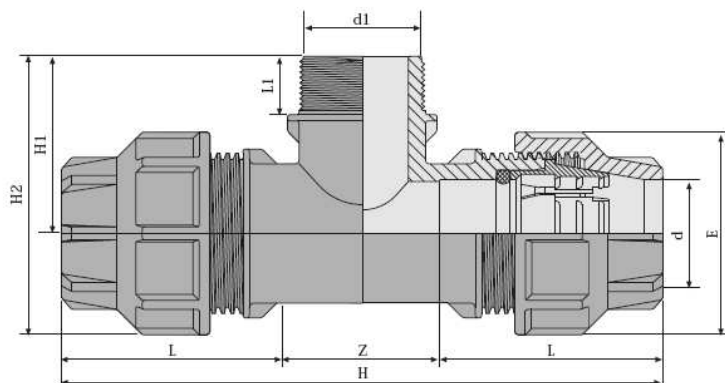


Technická data – T kus s vnějším závitem Plassim typ TA

Technická data – T kus s vonkajším závitem Plassim typ TA

Výrobce: 



| dxdxd | Katalogové číslo Katalogové číslo | L | Z | H | E | L1 | H1 | H2 | Váha v g |
|-------------|--------------------------------------|-----|----|-----|-----|----|-----|-----|-------------|
| 16x1/2"x16 | 15016T0101 | 45 | 20 | 110 | 38 | 19 | 37 | 59 | 44 |
| 16x3/4"x16 | 15016T0102 | 45 | 20 | 110 | 38 | 22 | 40 | 62 | 47 |
| 20x1/2"x20 | 15020T0101 | 54 | 24 | 132 | 46 | 18 | 42 | 66 | 79 |
| 20x3/4"x20 | 15020T0102 | 54 | 24 | 132 | 46 | 20 | 45 | 68 | 78 |
| 25x1/2"x25 | 15025T0101 | 60 | 30 | 150 | 52 | 18 | 46 | 73 | 101 |
| 25x3/4"x25 | 15025T0102 | 60 | 30 | 150 | 52 | 20 | 48 | 75 | 106 |
| 25x1"x25 | 15025T0103 | 60 | 30 | 150 | 52 | 23 | 49 | 76 | 109 |
| 32x3/4"x32 | 15032T0102 | 72 | 42 | 186 | 64 | 20 | 60 | 93 | 182 |
| 32x1"x32 | 15032T0103 | 72 | 42 | 186 | 64 | 20 | 60 | 93 | 193 |
| 40x11/4"x40 | 15040T0104 | 75 | 62 | 212 | 78 | 26 | 72 | 113 | 325 |
| 40x11/2"x40 | 15040T0105 | 75 | 62 | 212 | 78 | 26 | 72 | 113 | 334 |
| 40x2"x40 | 15040T0106 | 75 | 62 | 212 | 78 | 26 | 72 | 113 | 340 |
| 50x11/4"x50 | 15050T0104 | 96 | 72 | 264 | 94 | 25 | 78 | 129 | 568 |
| 50x11/2"x50 | 15050T0105 | 96 | 72 | 264 | 94 | 26 | 78 | 129 | 571 |
| 50x2"x50 | 15050T0106 | 96 | 72 | 264 | 94 | 28 | 82 | 133 | 608 |
| 63x11/2"x63 | 15063T0105 | 109 | 80 | 298 | 113 | 24 | 83 | 141 | 825 |
| 63x2"x63 | 15063T0106 | 109 | 80 | 298 | 113 | 29 | 87 | 145 | 840 |
| 75x2x75 | 15075T0106 | 126 | 80 | 332 | 128 | 32 | 95 | 165 | 1116 |
| 75x21/2"x75 | 15075T0107 | 126 | 80 | 332 | 128 | 36 | 100 | 170 | 1186 |
| 75x3"x75 | 15075T0108 | 126 | 80 | 332 | 128 | 36 | 100 | 170 | 1130 |